

EXCEPT AS OTHERWISE PROVIDED BY CONTRACT, THIS DRAWING AND SPECIFICATIONS SHALL NOT BE REPRODUCED, COPIED OR USED AS THE BASIS FOR MANUFACTURE OR SALE OF MATTER DEPICTED HEREIN WITHOUT THE EXPRESSED WRITTEN PERMISSION OF THE LAKOS CORPORATION, OR ITS ASSIGNEES.

THIS DRAWING HAS BEEN GENERATED AND IS MAINTAINED BY A CAD SYSTEM. CHANGES SHALL ONLY BE INCORPORATED AS DIRECTED BY AN APPROVED ENGINEERING CHANGE ORDER (ECO). PAPER COPIES ARE UNCONTROLLED.

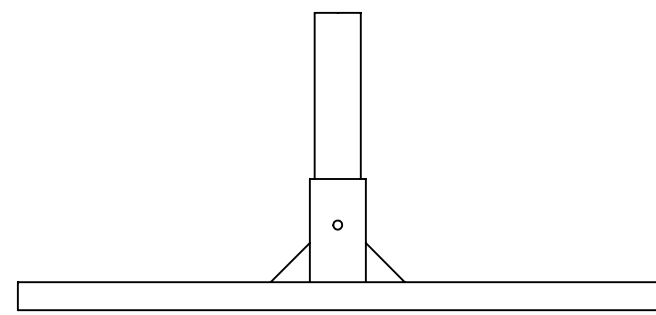
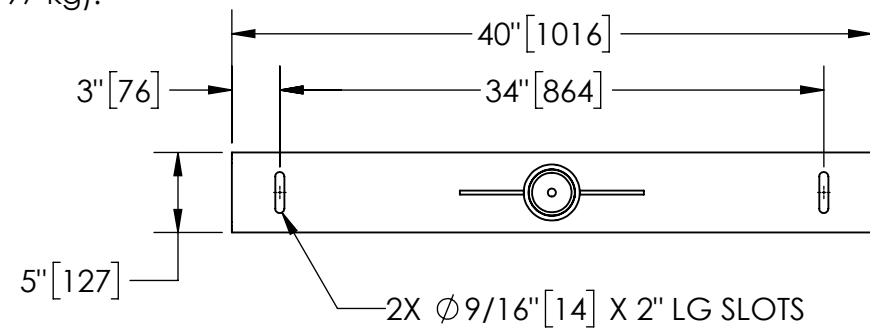
# SUBMITTAL DRAWING

This drawing is submitted for spatial consideration only. Do not pre-plumb to these dimensions.

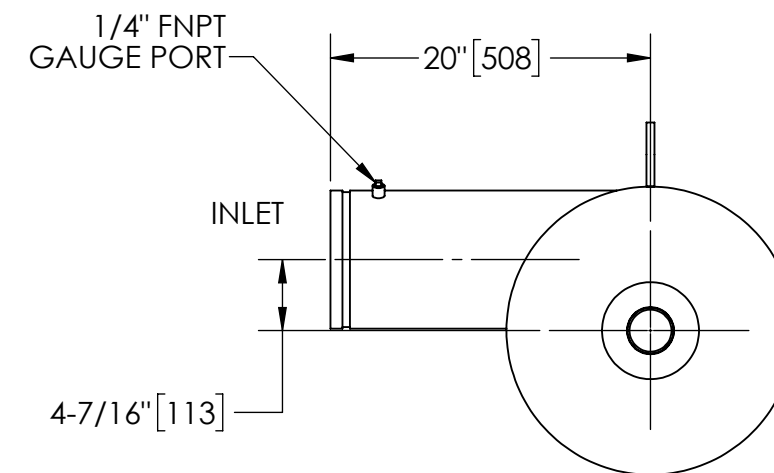
REVISION HISTORY				
ECN	REV	DESCRIPTION	DATE	APPROVED
	A	RELEASED FOR PRODUCTION	8/4/16	CAL
	B	UPDATED DESCRIPTION TO LGS-0750, UPDATED TO CURRENT DRAFTING STANDARD	1/27/20	DGB

NOTES:

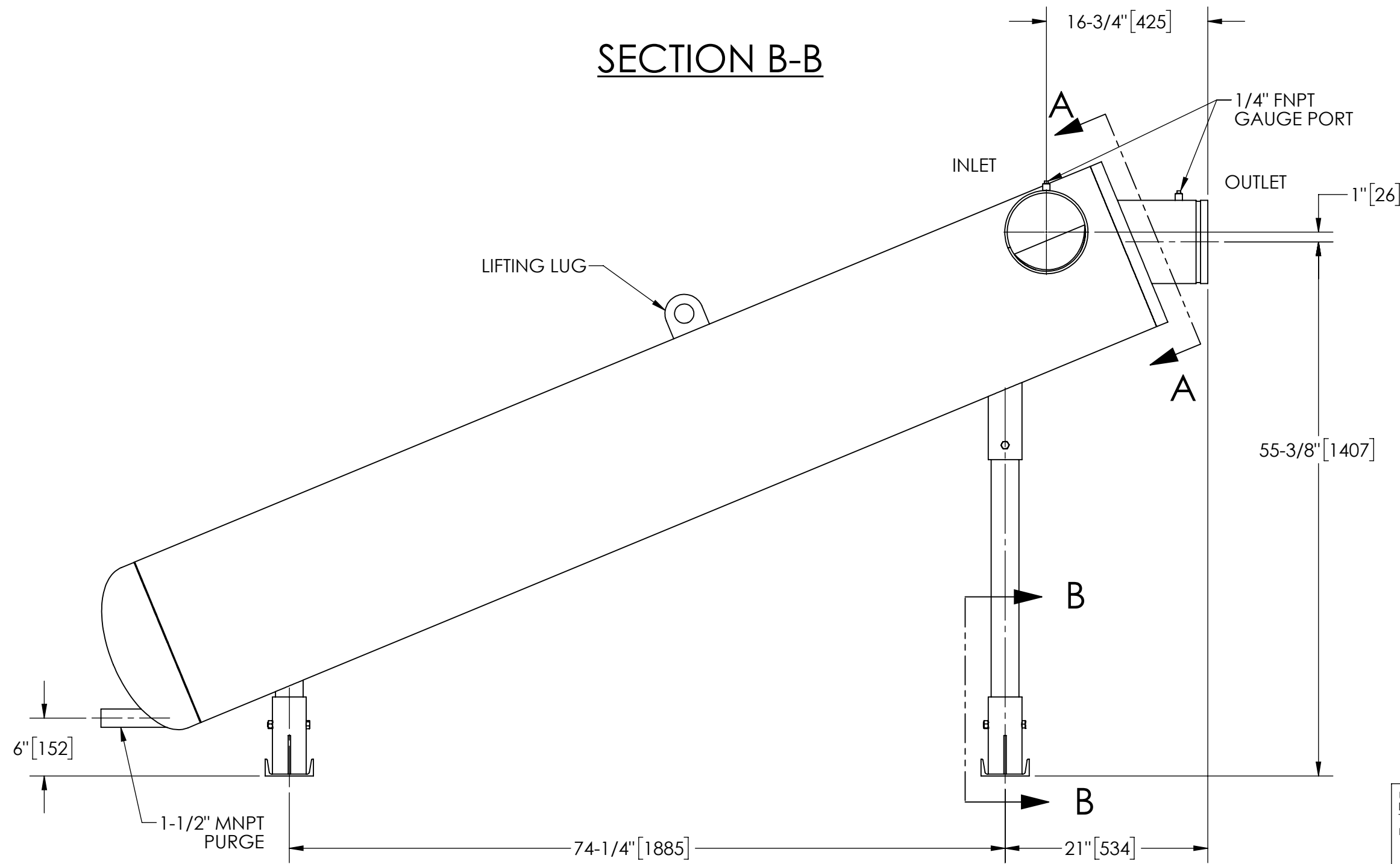
1. INLET & OUTLET ARE 8" GROOVED PIPE.
2. MAXIMUM PRESSURE: 150 psi (10.3 bar).
3. MAXIMUM TEMPERATURE: 180°F (82.2°C).
4. PRESSURE LOSS: 3-15 psid (.2-1.0 bar) AT RATED FLOW.
5. RATED FLOW: 750-1450 gpm (170-329 m³/hr).
6. APPROXIMATE DRY WEIGHT: 758 lbs (344 kg).
7. APPROXIMATE OPERATING WEIGHT: 1757 lbs (797 kg).



SECTION B-B



SECTION A-A



UNLESS OTHERWISE SPECIFIED: DIMENSIONS ARE IN: INCHES (mm) TOLERANCES ARE:		ENGINEERED FOR: STANDARD			
FRACTIONS ± 1"	DECIMALS .XX ± .01 .XXX ± .005 .XXXX ± .0005	ANGLES ± 1/4°	APPROVALS	DATE	TITLE
DO NOT SCALE DRAWING			DRAWN CAL	7/28/16	LGS-0750-L GROUNDWATER SEPARATOR 8" LGS LOW PROFILE CARBON STEEL
MATERIAL CLASS P-1 MILD CARBON STEEL			ENGR -	-	SIZE C
FINISH LAKOS GREEN			REVIEW -	-	MODEL NO.
			WORK ORDER	QTY.	DWG NO. 139961
					EST. WT. 758 lb
					SHEET 1 OF 1

DWG NO. 139961  
SHEET 1  
REV. B