

EXCEPT AS OTHERWISE PROVIDED BY CONTRACT, THIS DRAWING AND SPECIFICATIONS SHALL NOT BE REPRODUCED, COPIED OR USED AS THE BASIS FOR MANUFACTURE OR SALE OF MATTER DEPICTED HEREIN WITHOUT THE EXPRESSED WRITTEN PERMISSION OF THE LAKOS CORPORATION, OR ITS ASSIGNEES.

THIS DRAWING HAS BEEN GENERATED AND IS MAINTAINED BY A CAD SYSTEM. CHANGES SHALL ONLY BE INCORPORATED AS DIRECTED BY AN APPROVED ENGINEERING CHANGE ORDER (ECO). PAPER COPIES ARE UNCONTROLLED.

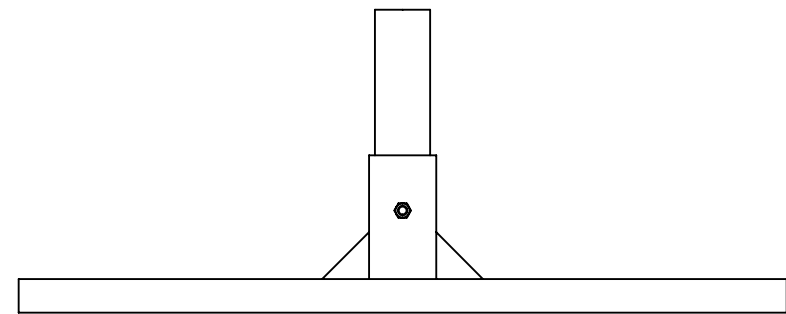
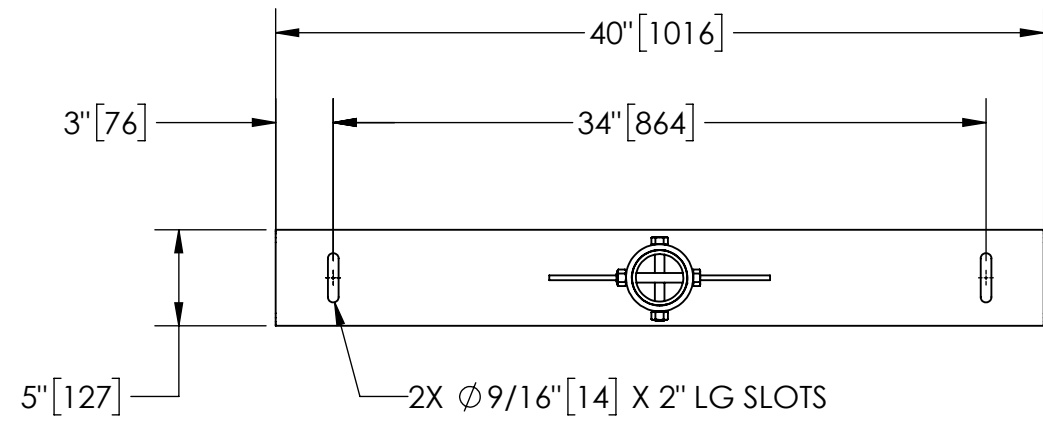
# SUBMITTAL DRAWING

This drawing is submitted for spatial consideration only. Do not pre-plumb to these dimensions.

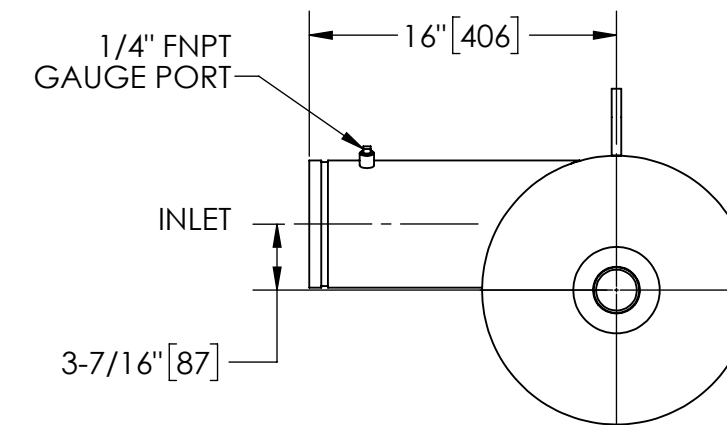
REVISION HISTORY				
ECN	REV	DESCRIPTION	DATE	APPROVED
	A	RELEASED FOR PRODUCTION	6/6/19	TPF
	B	UPDATED DESCRIPTION TO LGS-0385	11/13/19	TPF
367	C	MFG UPDATE	4/7/21	TPF

NOTES:

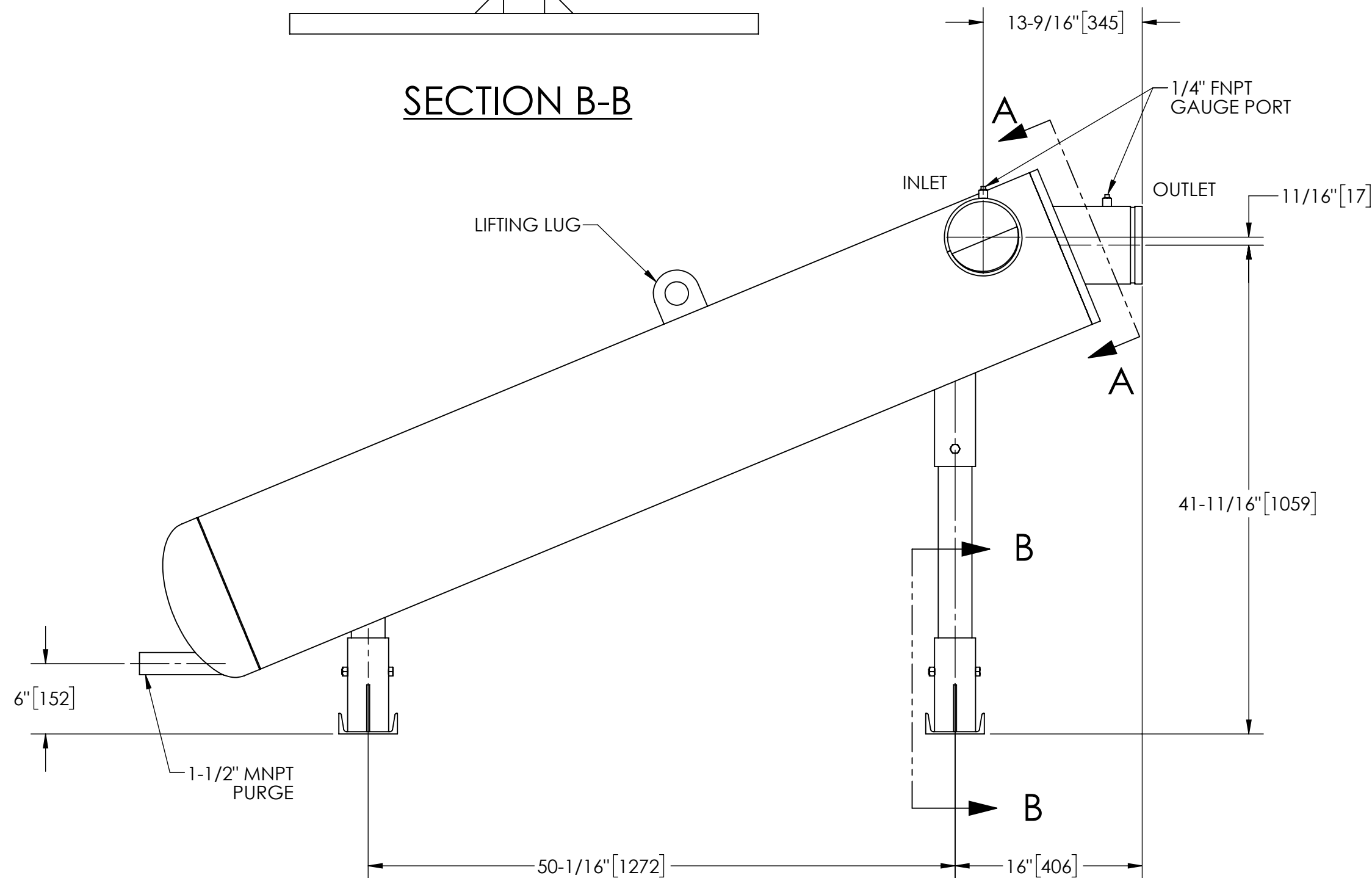
1. INLET & OUTLET ARE 6" GROOVED PIPE.
2. MAXIMUM PRESSURE: 150 psi (10.3 bar).
3. MAXIMUM TEMPERATURE: 180°F (82.2°C).
4. PRESSURE LOSS: 3-15 psid (.2-1.0 bar) AT RATED FLOW.
5. RATED FLOW: 385-850 gpm (87-193 m³/hr).
6. APPROXIMATE DRY WEIGHT: 447 lbs (203 kg).
7. APPROXIMATE OPERATING WEIGHT: 871 lbs (395 kg).



SECTION B-B



SECTION A-A



UNLESS OTHERWISE SPECIFIED: DIMENSIONS ARE IN: INCHES (mm) TOLERANCES ARE: FRACTIONS DECIMALS ANGLES ± 1" .XX ± .01 ± 1/4" .XXX ± .005 .XXXX ± .0005		ENGINEERED FOR: STANDARD		FRESNO, CALIFORNIA WWW.LAKOS.COM	
DO NOT SCALE DRAWING		APPROVALS	DATE	TITLE	
MATERIAL CLASS P-1 MILD CARBON STEEL		DRAWN TPF	6/4/19	LGS-0385-L, GROUNDWATER SEPARATOR 6" LGS LOW PROFILE, CARBON STEEL	
FINISH LAKOS GREEN		ENGR -	-	SIZE C	MODEL NO.
		REVIEW -	-	DWG NO. 182880	REV. C
		WORK ORDER	QTY.	SCALE 1:10	EST. WT. 447 lb SHEET 1 OF 1

DWG. NO. 182880 SH. 1 REV. C